



AMG



THE ALL-NEW MERCEDES-AMG
A 35 4MATIC.

EXPERIENCE IMPECCABLE HANDLING
AND THE RUSH OF POWER
IN THE ALL-NEW MERCEDES-AMG
A 35 4MATIC.



UNSTOPPABLE. JUST LIKE YOU.

Set lap time records sitting in the lap of luxury as you unleash the robust performance of the all-new Mercedes-AMG A 35 4MATIC.





AMG 2.0-LITRE 4-CYLINDER ENGINE

The AMG 2.0-litre 4-cylinder engine with turbocharger generates 225 kW (306 HP) of power and 400 Nm of torque. The vehicle always starts in quiet mode. The familiar sporty, loud engine start can be set by pulling the steering wheel shift paddles during the starting process. The AMG Engine Cover can be recognized at first glance.

306 HP | 400 NM





AMG SPEEDSHIFT DCT 7G

The AMG SPEEDSHIFT DCT 7G transmission is your ideal partner for a sporty driving style. The dual clutch transmission inspires extremely fast gear changes, and also boasts comfort-oriented, barely imperceptible shifting. You can enjoy the best of both worlds – racing or comfort on long journeys. You decide!

AMG PERFORMANCE 4MATIC



The AMG Performance 4MATIC enables even faster responding electromechanical multiple-disc clutch for fully variable power distribution and excellent traction when accelerating out of curves.

The specification of the all-wheel drive control depends on the selected ESP® mode:

- ✓ Comfort-oriented with ESP® ON
- ✓ Sporty and dynamic with ESP® Sport and ESP® OFF
- ✓ 3-stage ESP® with individual control strategies, enables higher drift angles in SPORT HANDLING MODE for a sporty driving style before the system intervenes



SUSPENSION WITH ADAPTIVE DAMPING SYSTEM

This provides an exciting driving experience, ranging from driving pleasure when cornering to a high level of comfort on long journeys. You can adjust the harshness of the suspension from "Comfort" through to "Sport". The lower suspension level and the Sports Direct-Steer system provide you with the ideal conditions for a particularly dynamic driving style.

DIRECT-STEER SYSTEM

You experience the rewards of the Direct-Steer system in every bend. It systematically orientates itself towards your steering movement. Less steering, more agile driving, experience more fun at the wheel.



DYNAMIC

AMG DYNAMIC SELECT

With the 5 AMG DYNAMIC SELECT drive programs, you have your own personal race engineer on board.

- ✓ "Comfort" default setting: well-balanced and fuel-efficient
- ✓ "Slippery" drive program: reduced throttle response, control systems which intervene particularly early, optimum mode for rain and slippery surfaces
- ✓ "Sport+" drive program: more agility and dynamics with sporty and firm suspension tuning spontaneous throttle response and modified shift points
- ✓ "Sport+" drive program: further enhanced sportiness, suspension and drive system feature even more dynamic tuning
- ✓ "Individual" drive program: variation of individual parameters to suit personal preference

CRUISE CONTROL

Enjoy relaxed, fuel-efficient motoring on longer journeys in particular.

For this you preselect your desired speed and your vehicle takes over control of the speed. In addition to the travelling speed, the limiter helps you to observe a maximum speed. This enhances road safety and protects you from expensive speeding tickets.

Set the speed conveniently and with as little distraction as possible - without taking your hands off the steering wheel.

- ✓ Display in instrument cluster
- ✓ Cruise control buttons on the steering wheel
- ✓ Desired cruising or maximum speed can be selected in 1 km/h or 10 km/h steps





The new AMG A-Class is a thoughtful companion through your journey with its Fit & Healthy features; they understand, motivate and guide to keep you in the prime of your health while driving.

Ambient lighting with 64 colours | Cruise Control | AMG DYNAMIC SELECT | Suspension with Adaptive Damping system | THERMOTRONIC automatic climate control and integral fine particulate activated charcoal filter | Electrically adjustable seats with Memory function and 4-way Lumbar support

INSTANT WOW!



The Mercedes-AMG A 35 4MATIC radiates its dynamism, even when standing still. Its AMG-specific radiator grille and large air intakes showcase extreme sportiness and demonstrate the AMG DNA that lies within.



MULTIBEAM LED

For your perfect vision: the adaptive MULTIBEAM LED headlamps with 18 individually controllable high-performance LEDs react to the traffic situation. Partial main beam omits other road users without dazzling them. And the cornering light and active light functions illuminate the field of vision optimally so that you can detect dangers sooner. It features the city light, country road light and motorway light modes.

THE ADAPTIVE ALL-LED TAIL LIGHTS

The adaptive all-LED tail lights shine with their brilliant design and intelligent technology. They continuously adjust the light intensity precisely to the lighting conditions of the surroundings. This is nothing less than simple considerateness.



PANORAMIC SLIDING SUNROOF

Experience direct open-top motoring pleasure, almost like in a cabriolet or roadster – refreshing and draft-free. Simply push back the panoramic sliding sunroof to any position. Even if the panoramic sliding sunroof is closed it brings more light and brightness into the interior: for your good mood.

The large glass area is also a major highlight on the exterior and draws admiring glances. This gives your car that unmistakable aura of a top-class premium product.

- ✓ Tilt position, automatically adapts to the vehicle speed in 3 stages
- ✓ Electronic roller sunblind
- ✓ Convenience closing via air recirculation button
- ✓ Automatic rain-sensor closing function



ALLOY

45.7 cm (18-inch) AMG 5-twin-spoke
light-alloy wheels

MIRROR PACKAGE

You can fold in the exterior mirrors electrically and thus make your car slimmer at the press of a button. Small parking spaces suddenly become big enough. Driver's exterior mirror and the rear-view mirror are also able to register headlamp dazzle from the rear and dim automatically.



Mercedes me CONNECT.

Always stay connected.

Smartphone App Functionality

MMC App functionality,
Vehicle Health, Vehicle Status Check, Location,
Remote lock-unlock, Geo-fencing, etc.

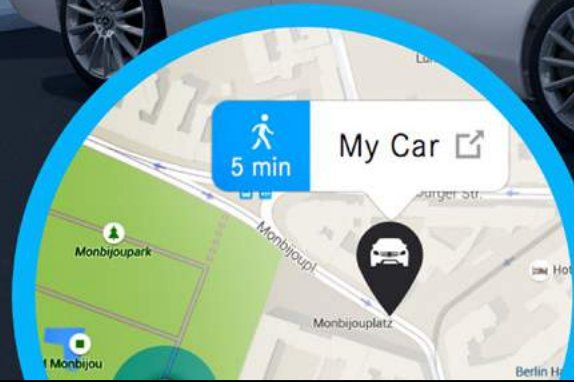
In-Car Functionality

E-call, MeCall (assistance), Weather Check,
Online Search, Hey Mercedes! (MBUX)

Home Functionality

Voice Assistance -
Alexa & Google Home Integration





VEHICLE MONITORING

- ✓ Locates and directs you to your parked vehicle within a radius of 1.5 km.
- ✓ You can get your vehicle's geo-coordinates sent by GPS.
- ✓ Receives alert notifications if the vehicle exceeds the set speed.

In-app functionalities

VEHICLE SET-UP

- ✓ Remote Engine Start
- ✓ Receives traffic information in real time and optimizes dynamic route guidance.
- ✓ Remote Retrieval of Vehicle Status: Information on Mercedes me App or the Mercedes me Portal.
- ✓ Remote Door Locking and Unlocking: You can conveniently remotely lock or unlock your vehicle from the Mercedes me App.
- ✓ Speed Alert: Receive an alert if your vehicle exceeds a certain speed.
- ✓ Send2Car function: Send your address to your vehicle via an app

LINGUATRONIC VOICE CONTROL SYSTEM

- Just two words “Hey Mercedes”
- Obeys every word and talks to you.
- Checks the destination weather, changes the radio station or takes you home on the fastest route.

MERCEDES-BENZ EMERGENCY CALL SYSTEM

It saves you vital minutes in an emergency. If an accident is detected, a communications module with its own SIM card automatically triggers an emergency call which can shorten the time until the rescue services arrive.

In-car Functionalities

INDIVIDUALIZATION

- Change the ambient lighting.
- Configure the display styles on the instrument cluster and multimedia system display.
- Individualize the Touch Control buttons on the steering wheel.

ARTIFICIAL INTELLIGENCE

- Remembers your favorite songs and the way to your work.
- Automatically adjusts the right radio station.
- Shows the fastest route.





ALEXA HOME INTEGRATION WITH MERCEDES ME CONNECT:

Conversations with Alexa are now more fun when the systems connect with your Mercedes-Benz via cloud and give you real time updates. This feature can be used from an Alexa Echo device setup at home, office or also from phone's Alexa App. The command starts with "Alexa, Ask Mercedes to...." To start Mercedes me skill just say "Alexa, Open Mercedes" or directly initiate a command by saying "Alexa, tell Mercedes to <command>".

In-home Functionalities

GOOGLE HOME INTEGRATION WITH MERCEDES ME CONNECT:

Google Home integration is also offered for Google home users. In a similar way, once the Mercedes me connect is linked to Google Home, you can start issuing commands.



WRAPPED IN LUXURY.

Experience the best as you sit cocooned with the latest technology and the best-in-class luxury, with all the features at your fingertips.



ALL-DIGITAL INSTRUMENT CLUSTER DISPLAY

Visually impressive and easy to read: travel and driving assistance information is superimposed. You experience the entire range of digital display possibilities on the large, high-resolution 10.25-inch display which is individually configured by you – for example in the classic form, with the speedometer on the left and the rev counter on the right.

MEDIA DISPLAY

The high-resolution and touch-sensitive media display networks you with the car in a large format of 10.25 inches screen. Symbols make operation easier and improve concentration.

When the media display is combined with the larger instrument display, the result is a Widescreen Cockpit.





AMBIENT LIGHTING IN 64 COLORS

Showcase the interior according to your personal preferences and mood. The 64 colours of the ambient lighting create fascinating colour schemes in the illuminated air vents, doors and dashboard.

SMARTPHONE INTEGRATION

It links the mobile phone with the media system via Apple CarPlay® or Android™ Auto. The voice control is more than just an appealing feature as you can submit your requests via the voice assistant in the car.



BURMESTER® SURROUND SOUND SYSTEM

Experience more performance and exclusivity with the legendary Burmester sound. The high-performance speakers develop a first-class surround sound. You can specifically optimize this for the front and rear seats to intensify the listening experience. A level of quality that is also visible, thanks to the high-quality Burmester lettering.

- ✓ Premium mid-range speaker as the central speaker
- ✓ One premium mid-range speaker in each of the front and rear doors
- ✓ One premium tweeter in each front door (mirror triangle) and rear door
- ✓ Two surround mid-range speakers in the C-pillars or in the parcel shelf
- ✓ One subwoofer in the rear area
- ✓ External Class D DSP amplifier, sophisticated sound optimization (DSP: Digital Signal Processors)
- ✓ Maximum total output: 590 watts



MULTIFUNCTION SPORTS STEERING WHEEL IN NAPPA LEATHER

The multifunction sports steering wheel in Nappa leather with control panels in chrome has a flattened bottom section and is perforated in the grip area – excellent credentials for sporty driving. Not only will you see this, you will feel it straight away when touching the steering wheel. The high-quality, soft nappa leather is also a quality experience in itself.

Perfect vehicle control: The Touch Control buttons on the left and right operate various navigation, telephony and entertainment functions. Last but not least, they set the speed/proximity control: everything under control without taking your hands off the steering wheel.

SPORTS SEATS WITH SEAT COMFORT PACKAGE

The **Sports Seats** optimize lateral support for dynamic driving, also provides unrestricted comfort for everyday use. The **Seat Comfort package** offers ideal seat position to all motorists along with their own personal setting. For tall drivers, the extendable cushion lengthens the surface for the thighs by up to 6 centimeters.

The **4-way lumbar support** is a small detail which has a big impact.

4 settings are possible: higher, lower, weaker or stronger.

- ✓ Special seat design
- ✓ Upholstery in ARTICO man-made leather/DINAMICA microfibre, Black

ELECTRICALLY ADJUSTABLE FRONT SEATS WITH MEMORY FUNCTION

The Memory function stores the ideal position of the driver's seat and the exterior mirror. Up to 3 people can therefore immediately access their appropriate settings at the press of a button.

As a part, the seat cushion moves gently up and down and the backrest forwards and backwards (ENERGISING seat kinetics). A blessing for your back muscles, which will tire less easily.



DOOR SILL PANELS WITH ILLUMINATED AMG LETTERING

With the AMG door sill panels, you are making a sporty and exclusive statement. The door sill panels in brushed stainless steel impress above all with their white illuminated "AMG" lettering, and provide an enhanced touch each time you get in and out of the vehicle.

AMG FLOOR MATS

The elegant, black floor mats with AMG lettering blend harmoniously into the interior design, and effectively protect the footwells against soiling. When needed, you can very rapidly remove, vacuum clean or wash the AMG floor mats.

LIGHT AND SIGHT PACKAGE

More light sources for good orientation – and they look good too: for example, transparent lenses in the overhead control panel create a three-dimensional crystal effect. The vanity mirror in the sun visor is illuminated for a quick glance or when putting on make-up.

Features:

- ✓ Overhead control panel, "4 light stones"
- ✓ Interior lamp/reading lamp in rear in retaining plate
- ✓ Touchpad illumination reading lamps, console downlight
- ✓ Vanity lights
- ✓ Signal exit lamp
- ✓ Footwell lighting
- ✓ Cup holder/stowage compartment lighting
- ✓ Oddments tray lighting



Warning -
Do not let the system distract you from the traffic situation.

Hello.
12:37, 24 °C



THERMOTRONIC AUTOMATIC CLIMATE CONTROL

The THERMOTRONIC controls the individual temperature in 2 zones. You and your front passenger can thus set your preferred climate independently of one another.

The activated charcoal filter works very efficiently and eliminates particulate matter, harmful substances and unpleasant odour. Your health will thank you for it.

- ✓ A fine-dust activated charcoal filter improves the air quality in the vehicle.
- ✓ Dew point sensor prevents windows from misting up and ensures energy-efficient climate control
- ✓ Rear centre vents for improved climate comfort in the rear



TOUCHPAD AND DOUBLE CUP HOLDER

Using the touchpad, you can operate the display of the infotainment system as you would on a smartphone. Shift or enlarge the content quite simply with single gestures. Each input is confirmed with haptic feedback. The touchpad recognizes your handwriting should you wish to enter addresses or phone numbers. Direct access to key functions: DYNAMIC SELECT drive programs, vehicle functions, navigation or telephony. Also, you can always have a refreshing drink within reach. This is made possible by the double cup holder in the front section of the centre console. You can safely deposit two bottles or mugs in it. And if you remove the double cup holder, you add a large stowage tray to the interior.

STOWAGE COMPARTMENT IN CENTRE CONSOLE WITH RETRACTABLE COVER AND WIRELESS CHARGING

The cover for the stowage compartment in the centre console offers you elegant protection from prying eyes in a high-quality material. This looks good, the interior appears even tidier, everything important is to hand.

- ✓ Connect or wirelessly charge your electronic devices
- ✓ The integral 12V socket, USB interface and the removable cup holder in the stowage compartment proves to be truly multitalented
- ✓ Cup Holder for your drink of choice is also available at all times





KEYLESS-GO

Your KEYLESS-GO vehicle key can stay in your pocket, you don't even need to hold it in your hand. The car recognises its owner thanks to the stored access and drive authorisation. Grasp the door handle, open, climb in, drive off – KEYLESS-GO is always a convenient experience.

You enjoy the intelligent control options such as convenient opening or closing of the side windows from the outside at the press of a button. This is also how you control the panoramic sliding sunroof – for an extra dose of fresh air in the interior even before you climb in.



LIGHT LONGITUDINAL-GRAIN ALUMINIUM TRIM

The trim lends your interior an individual look. It blends in harmoniously while also creating exciting contrasts. As such it reinforces and underscores the interior design.

At the same time the trim is a continually discernible sign of the quality of a meticulously finished premium product.



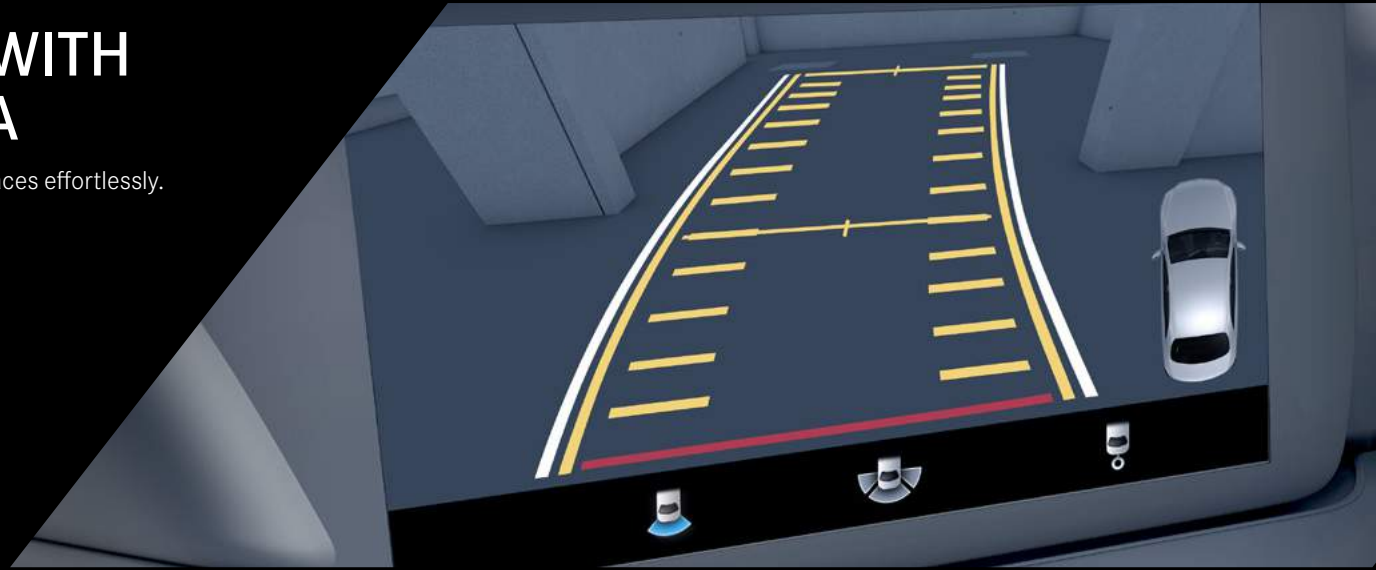
**DESIGNO SEAT BELTS IN
RED**

**ROOF LINER IN
BLACK FABRIC**



PARKING PACKAGE WITH REVERSING CAMERA

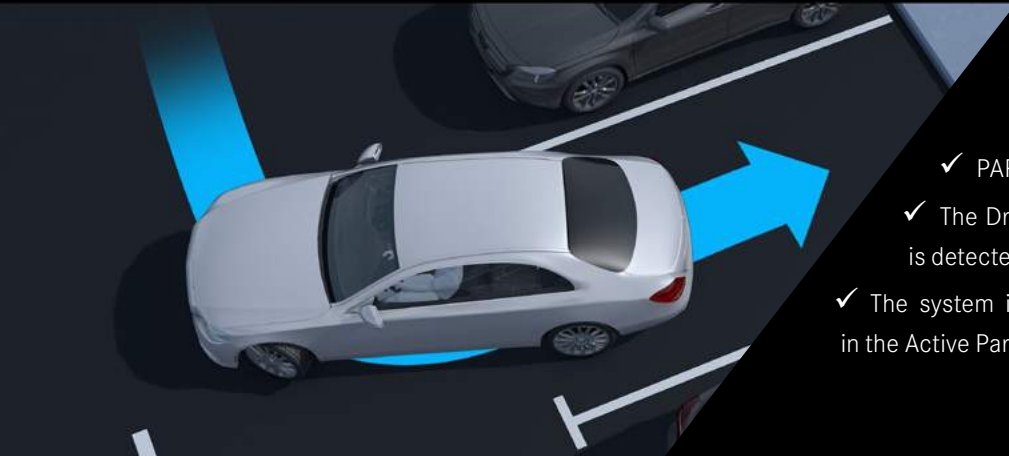
With this package you will master even tight parking spaces effortlessly. Peace of mind is the only motto for the reversing camera.



ACTIVE PARKING ASSIST WITH PARKTRONIC

This bundle makes parking smooth and effortless. With the help of 12 ultrasonic sensors, it identifies suitable available parking spaces and assists with driving forwards, braking and changing gear by taking over the steering for you.

- ✓ Active Parking Assist: activates the turn signal indicators during the manoeuvre
- ✓ PARKTRONIC: gives visual and audible warning of detected obstacles
- ✓ The Drive Away Assist: can briefly restrict the moving off speed if an obstacle is detected when changing gear from a standstill
- ✓ The system is activated/deactivated via a button on the centre console or in the Active Parking Assist view on the media display



ADAPTIVE HIGHBEAM ASSIST PLUS

Drive with permanent main beam. This almost turns night into day and takes the strain out of driving. Adaptive Highbeam Assist Plus allows you to see very far and doesn't dazzle.

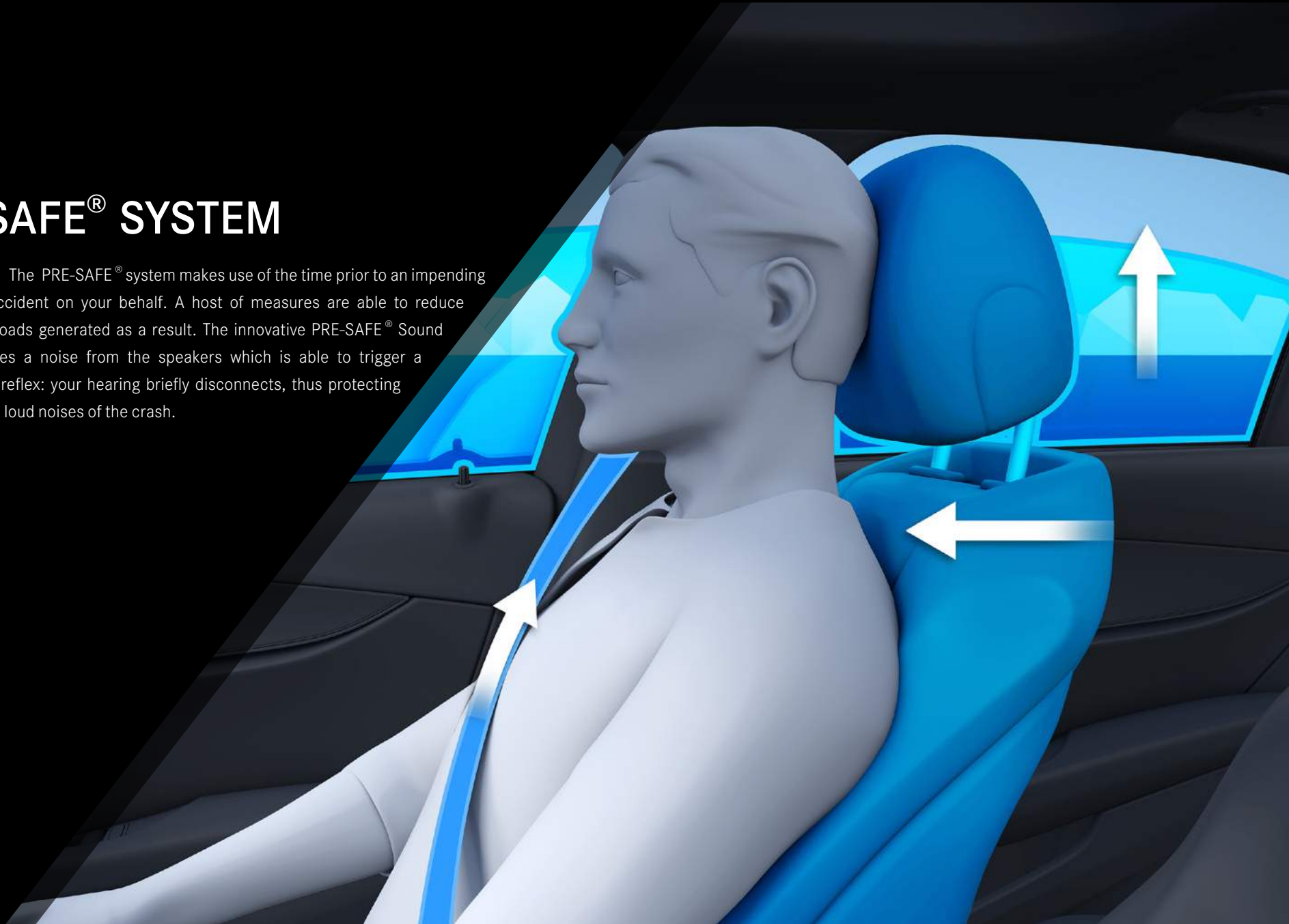
Features:

- ✓ Automatic main-beam control for permanent broad illumination of the carriageway
- ✓ Active from a speed of 30 km/h on roads with no street lighting



PRE-SAFE[®] SYSTEM

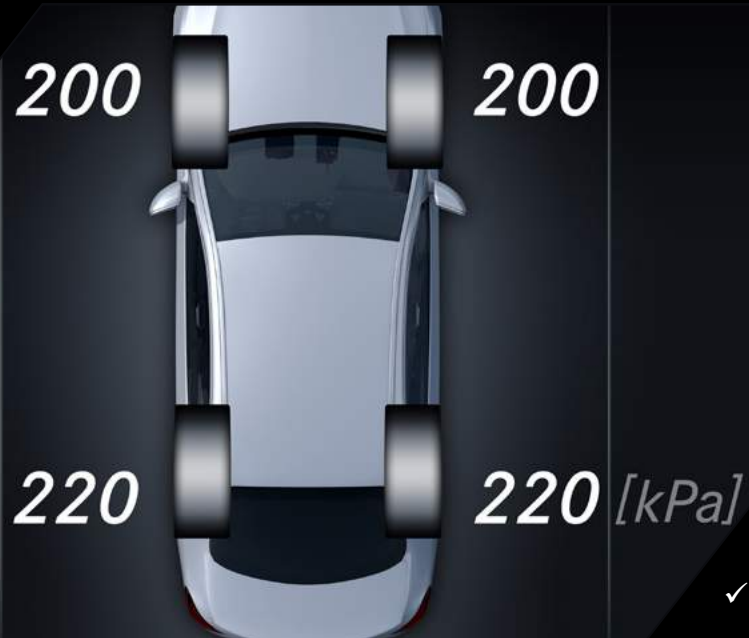
The PRE-SAFE[®] system makes use of the time prior to an impending accident on your behalf. A host of measures are able to reduce the loads generated as a result. The innovative PRE-SAFE[®] Sound generates a noise from the speakers which is able to trigger a protective reflex: your hearing briefly disconnects, thus protecting itself from the loud noises of the crash.





ACTIVE BONNET

The active bonnet system minimizes pedestrian injuries by lifting the rear edge of the hood when you are involved in an accident. Raising the hood creates additional space that can serve as a cushion between the hood and the engine improving pedestrian protection.



TYRE PRESSURE MONITORING SYSTEM

The system monitors the tyre pressure for you and provides you with a warning in the event of a drop in pressure. The system provides you with stepped display messages, respectively:

- ✓ Correct tyre pressure
- ✓ Check tyres
- ✓ Warning – defective tyres
- ✓ Tyres overheating
- ✓ Reduce speed

TIREFIT

Your rapid temporary measure in the event of less significant tyre damage. Damage caused by driving over nails or glass fragments can be sealed by means of the sealant blown in via the air compressor. As a result, you can continue to drive to the nearest workshop at up to 80 km/h.



THE 8 YEARS YOU'LL BE LOOKING FORWARD TO.

The all-new Mercedes-AMG A 35 4MATIC isn't just best-in-class when it comes to road presence and impressive features. There's more to the Star than meets the eye. To give you an experience like never before, enjoy an 8-year warranty on engine and transmission from the date of the purchase.

Get exclusive benefits such as:

- Honoured at any of our authorized Mercedes-Benz dealers nationwide
- Warranty work and repairs performed using Genuine Mercedes-Benz Parts
- Warranty transferable to the next owner in the event of a sale

Coverage of the parts such as:

- Engine and Transmission
- Torque Converter
- Supercharger/Turbocharger
- Engine and Transmission Control Units



PAINTWORK

The paintwork flatters the contours of your vehicle and makes a brilliant impression. It makes your premium product even more top class, enhancing its looks from every angle. The additional clear coat also protects the bodywork against environmental influences and is highly scratch-resistant.



Denim Blue



Cosmos Black



Mojave Silver



Iridium Silver



Mountain Grey



Polar White (non-metallic)

SOLE PAINTWORK



It's time to stand out from the crowd with an exclusive paint option. Limited units, specially painted at an additional cost.

COOLBOX

Be it cool drinks, a picnic or baby food: the thermoelectric refrigerator box cools upon request and is the perfect companion on any day-out. Thanks to its extra thick insulation that can cool up to 5°C, but a max. of 20°C under the outside temperature. It fits perfectly into every your vehicle and holds 13 litres. The portable refrigerator box has textile coating with fitted pockets and a zip. It is even powered via the cigarette lighter or a 12-volt socket.



TRAVEL AND STYLE COAT HANGER

The coat hanger – for crease-free clothes when you're on the move. It's easy to arrive looking smart: the sturdy coat hanger allows you to hang up items of clothing on board.

Rounded ends protect the fabric. Direct adapter makes it easy to secure hanger in place on the back of the front seats and to remove it again.

*Additional attachments required for fitment



MERCEDES-AMG ROOF BOX

The innovative, aerodynamically developed design of the Mercedes-AMG roof box combines sportiness and exclusivity. The two-colour finish and the fin in the cover creates an interesting interplay of light and shadow and emphasizes the expressiveness of the AMG design. With the design of the Mercedes-AMG roof box, optimum results in terms of aerodynamics and driving characteristics are attained.

*Additional attachments required for fitment

LED LOGO PROJECTOR, AMG EMBLEM

A fascinating presence! On opening the driver or front-passenger door, innovative LED projectors venture the AMG Emblem with 3D effect onto the ground in the entrance area. Replaces the standard exit lamps in the front doors. Look-and-feel good and at the same time provides better orientation in the dark.

Genuine Accessories **additional charges apply.*



FOLDING TABLE, STYLE & TRAVEL EQUIPMENT

A practical place to put snacks and drinks during the journey. The folding table with direct adapter features a cup holder insert. It makes it easy to secure the table in place on the back of the front seats and to remove it again.

*Additional attachments required for fitment



BICYCLE RACK

New Alustyle bicycle rack: The epitome of easy cycle transport suitable for all cycle types. E.g. road bikes or trekking bikes. Fully pre-assembled and ready to use. Extremely lightweight as a result of aluminum/steel construction. New and ingeniously convenient for you.

*Additional attachments required for fitment

MERCEDES-BENZ DASHCAM

A front camera system - the dashcam records critical driving situations and, thanks to its innovative radar technology, it can also be used for efficient parking monitoring by scanning the area in the immediate vicinity of the vehicle to record relevant events. High resolution and light sensitivity ensure high video quality day and night. The built-in acceleration sensor likewise detects vehicle vibrations. Backlit keys make the unit easy to use. Additional settings can also be configured via the web interface or associated apps.

- ✓ High resolution and light sensitivity
- ✓ Built-in acceleration sensor for detecting vehicle vibrations
- ✓ Easy to use
- ✓ 32 GB Memory Card

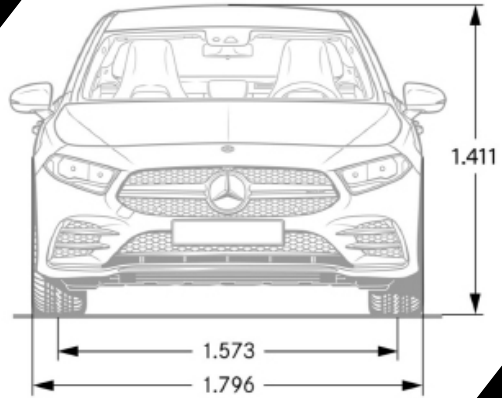


Technical Specifications

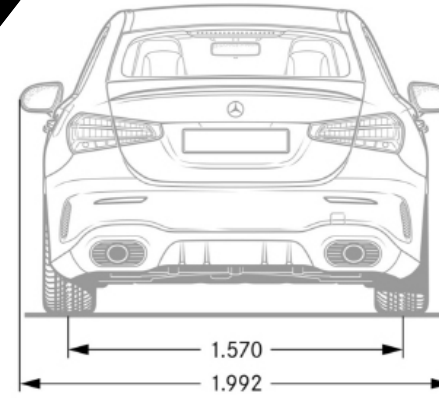
	Mercedes-AMG A 35 4MATIC
Total displacement (cc)	1991
Arrangement of cylinders/No.	L4
Transmission	AMG SPEEDSHIFT DCT 7G
Rated output (kW [HP] @ rpm)	225 [306] @ 5800
Rated torque (Nm @ rpm)	400 @ 3000 - 4000
Acceleration 0-100 km/h (s)	4.8
Top Speed (km/h)	250
Fuel Tank capacity (l)	51
L x W (ORVM) x H (mm)	4559 x 1992 x 1411

Dimensional Drawings

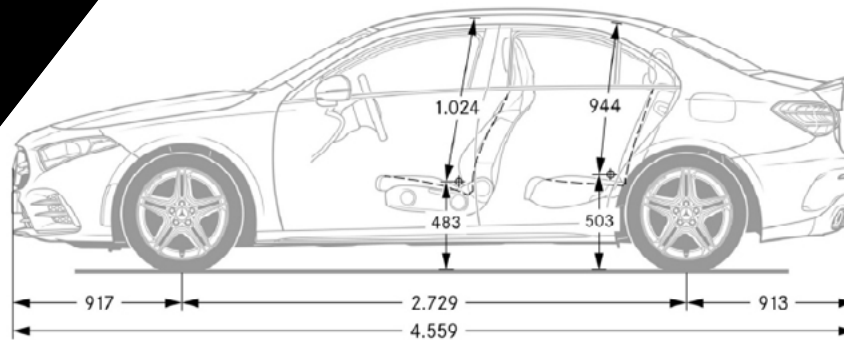
Front



Rear



Side



Mercedes-Benz India Private Limited: E-3, MIDC Chakan - Phase III, Chakan Industrial Area, Kuruli & Nighoje, Tal: Khed, Pune - 410 501
(India) Toll free No.: 0008000501888. e-mail: cs.ind@cac.mercedes-benz.com, website: www.mercedes-benz.co.in

Please note: This brochure is intended for general information, description and illustration of the Product including optional functions and equipment and may not be specific to a Product since specification of a product may change from time to time. Optional features, functions and equipment etc. may not be present in the Standard or Variant Product or Special Edition Product. Further, Standard specifications of a product may also vary from time to time. Colours may differ from those shown in pictures in the brochure. Mercedes-Benz India reserves the right to make changes without prior notice, in design, colours, materials, components, equipment, specifications, features, functions, make and models etc. The information given in this brochure shall be regarded as accurate at the time of launch and may vary thereafter due to any developments or any other reason. Interested customers should reach out to the Authorised Dealer for further information on the exact specifications, features of the product.

Images shown are for representation purposes only. Some of the vehicles in the Brochure are left hand drive wheel. However, Mercedes-Benz India only manufactures and sells vehicles as per the applicable motor vehicle regulations in India. All vehicles sold by Mercedes-Benz Authorized Dealers shall be with right hand drive wheels only.

All title, ownership rights and intellectual property rights in and relating to this brochure/magazine or publication material or any copies thereof including but not limited to copyright, logos, names, trademarks, service marks, design, text, images, links, concepts and themes are owned by Daimler AG and/or its subsidiaries collectively or used under authorised license by the Daimler AG. Any reproduction, transmission, publication, performance, broadcast, alteration, license, creation of derivative works or other use in whole or in part in any manner without the prior written consent of Mercedes-Benz India Pvt. Ltd is strictly prohibited.

Mercedes-Benz cars: The Mercedes-AMG A 35 4MATIC meets Bharat Stage VI equivalent emission norms.

CIN - U34102PN1994PTC083160